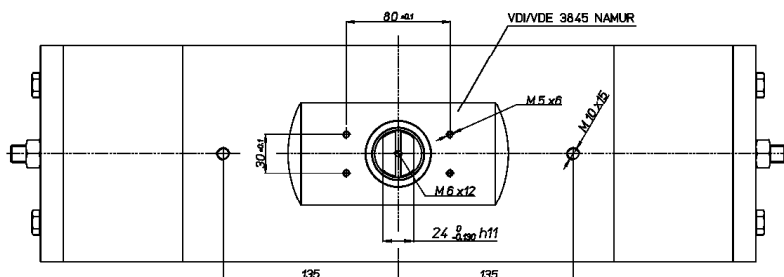
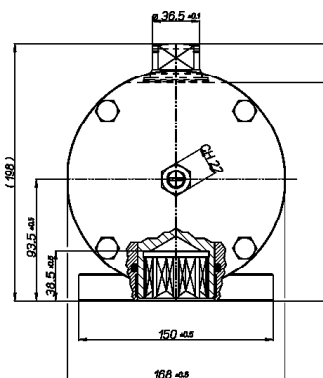
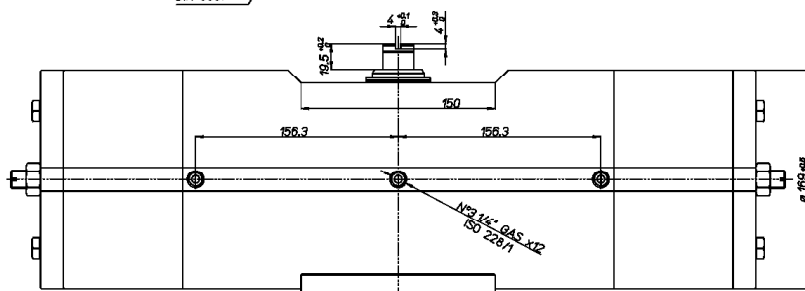


For the lifting use n° 2 eyebolts M10
Lifting points are designed for actuator only



Function



Spring return Actuators Normally Closed (N.C.) - Output Torque related to rotation angle, in Nm (0° valve closed 90° valve open)

Spring Torque				Air pressure supply in bar																																		
SIZE	0°	50°	90°	2,4			2,8			3			3,5			4,2			5			5,6			6			7			8							
				0°	50°	90°	0°	50°	90°	0°	50°	90°	0°	50°	90°	0°	50°	90°	0°	50°	90°	0°	50°	90°	0°	50°	90°	0°	50°	90°								
2,8	160,0	120,0	240,0	182,9	85,7	102,9	240,0	120,0	160,0	268,6	137,1	188,6	340,0	180,0	260,0	440,0	240,0	360,0																				
3,5	200,0	150,0	300,0										228,6	107,1	128,6	300,0	150,0	200,0	400,0	210,0	300,0	514,3	278,6	414,3	600,0	330,0	500,0											
4,2	240,0	180,0	360,0													260,0	120,0	140,0	360,0	180,0	240,0	474,3	248,6	354,3	560,0	300,0	440,0	617,1	334,3	497,1	760,0	420,0	640,0	902,9	505,7	782,9		
5,6	320,0	240,0	480,0																																			

Technical Data

Max Pressure	** Min Pressure	Rotation	Stroke Adjustment	Screw Stroke Adjustment	*Moving time (sec.)		Operating temperature (°C)
					Opening	Closing	
8.4 bar	2.4 bar	92° -1° +91°	10°	For 1° drive Need 1/2 turn screw	1.8	2	Standard -20°C +80°C High temperature -20°C +150°C Low temperature -50°C +60°C

Weight Kg	Chamber Ø (mm)	Air volume L/cycle	Maximum flange torque values	Spring return Actuator with spring force 2.8, is manufactured with only one spring cap and normal end cap (available only in standard version).	A1	CH1	Weight Kg
60	125	2.7	F14 = 2000 Nm		519	24	51

*The moving time could vary on different operating and installation factors.

**Attention: for "High Temperature" and "Low Temperature" version, the Min Pressure is 3.5 bar.

Operating Medium

The operating medium shall have a dew point equal to -20 °C or, to be at least, 10 °C below the ambient temperature (ISO 8573-1, Class 3).
The maximum particle size shall not exceed 40 µm (ISO 8573-1, Class 5).